

New rules on Isocyanate training



Kingspan **LOGSTOR**

UPDATE REGARDING LOGSTOR PRODUCT PROGRAM

It's once again time for new updates.

Below, please find our Product info No. 3-2023 with following updates:

- New requirements in EU about mandatory training for everyone who works with Isocyanate
- Update of the Handling and Installation Manual regarding insulating joints
- Radon-tight wall entry sleeve
- Pre-insulated stop valves, single pipe, with outlet for alarm system – update
- AluFlextra with 16 mm multilayer media pipe

Should you have any questions, please contact your usual LOGSTOR contact person or the undersigned.

Best regards
Kingspan LOGSTOR

Peter Jorsal

Product & Academy Manager

 **Kingspan** | **LOGSTOR**

New requirements in EU about mandatory training for everyone who works with Isocyanate

It is a requirement in all EU countries that everyone who works with Isocyanate must complete training in accordance with REACH/ISOPA valid from 24 August 2023.

As a professional user and employer of professional users of Isocyanate, you are obliged to ensure that your employees receive the necessary training.

It is thus the employer's responsibility to ensure that all employees have the necessary training to be able to work with Isocyanate.

Everyone working with Isocyanate must have completed training before work can begin. The training must be documented and must be repeated every 5 years.

Foam pack and Cans for foaming joints contain Isocyanate. This means that your employees must have completed training in order to work with Foam pack or Cans. Likewise, everyone who works with machine foaming must have completed the necessary training.



The training will for all EU countries (except for Denmark) be an online training session. In Denmark the isocyanate training will be a physical training performed by Amu-centret.

An online training platform is available in multiple languages accessible at www.safeusediisocyanates.eu

The purpose of the compulsory training is to reduce the number of asthma cases and skin allergies. Isocyanate is allergenic both by inhalation and by skin contact.

By focusing on education, Isocyanate users are trained to use and handle Isocyanate

safely, so that cases of asthma and skin allergies are avoided.

LOGSTOR support this restriction to ensure workers safety. We recommend choosing the education number on the training platform: 055 "Risk management measures for MDI in factories produced rigid PU foam".

The following languages are translated and ready on the training portal: English, German, French, Spanish, Dutch, Italian, Hungarian, Polish.

Other languages are planned for translation in June.

Update of the Handling and Installation Manual regarding joint insulation

We have updated the Handling and Installation Manual regarding insulating joints within the following areas:

- Handling of Foam pack where the date has expired
- Handling a leaking Foam pack at the workplace
- Handling of Foam pack where bags in insulation boxes are leaking
- Liquid temperature and storage
- Requirement in all EU countries that persons working with isocyanate must complete a mandatory training according to REACH/ISOPA valid from 24th August 2023

See the Handling and Installation Manual on our website:

<https://www.logstor.com/media/7215/kingspan-logstor-handling-and-installation-manual-user-installation-guide-en-eur.pdf>

As a rule, we do not accept Foam packs as return goods.

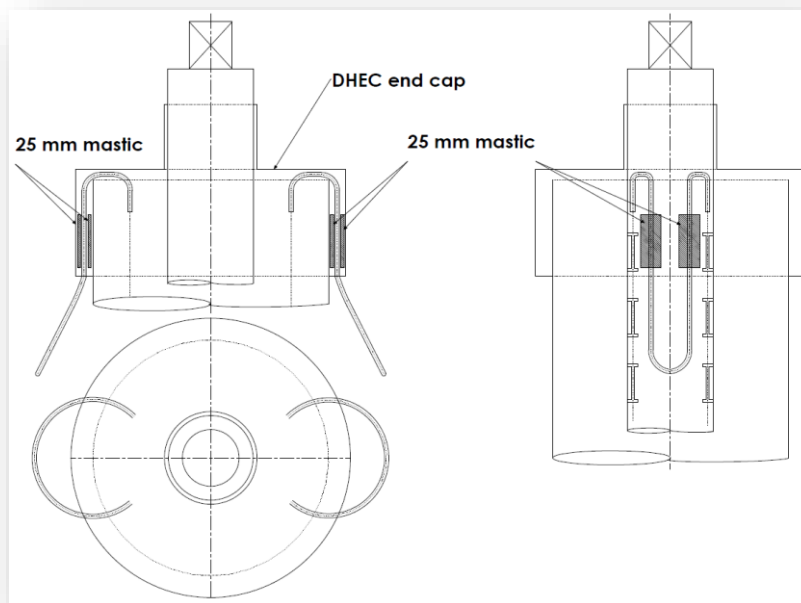
If there is a need to transport Foam pack, it must be ensured that the driver has the necessary training for the transport of dangerous goods, and that the handling is in accordance with our Handling and Installation Manual.

Pre-insulated stop valves, single pipe, with outlet for alarm system (Nordic alarm system) – update

In LOGSTOR Product Info no. 2-2023, we informed about the future solution for pre-insulated stop valves for single pipe systems, where the two 1.5 mm² copper wires are led up into the spindle, and the possibility of a measuring point outlet is established by pulling an insulated 1.5 mm² wire out under the end cap in a loop.

Shown below is the detail of how the tightness is ensured where the insulated wire is pulled out under the end cap.

To document the tightness, we test the valve with an alarm outlet in the end cap in a pressure tank with a water pressure of 3 m for 24 hours, where the acceptance criterion for the test is that no moisture can get into the insulation.



This will thus be the standard solution on pre-insulated stop valves without a service valve and on pre-insulated valves with 1 or 2 service valves.

Customer benefits:

- Easy access to a measuring point outlet. It will always be possible to use the measuring point outlet when locating faults
- We can optimize our stock of pre-insulated stop valves, which will ultimately lead to better delivery service
- Pre-insulated stop valves for single pipe systems with measuring point outlets for the alarm system have been supplied for more than 30 years with good experience in relation to quality and use of the alarm system

If there is a desire for this, we have the option of showing a video of the production of a pre-insulated valve with alarm wire outlet under the end cap. Contact your local salesperson or the undersigned for this.

Radon-tight wall entry sleeve, F-802 w/hose clip

As a supplement to our current program of wall entry sleeve for use with masonry, we are now introducing a radon-tight wall entry sleeve F-802 w/hose clip. See the image below of the new wall entry sleeve:



The radon-tight wall entry sleeve can be used on all pre-insulated pipes with a smooth casing. That is, bonded system single pipe and TwinPipe as well as CuFlex and SteelFlex.

The customer advantages of the new wall entry sleeve are the following:

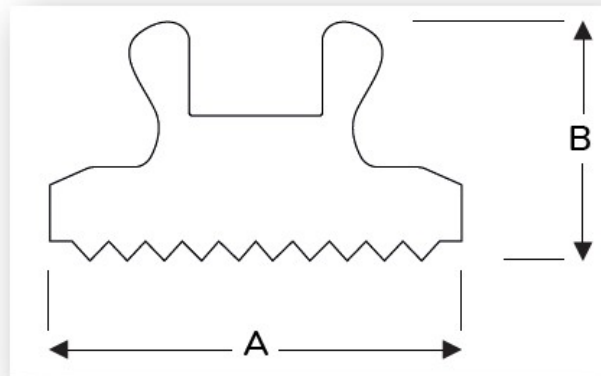
- Documented radon-tight
- Test report from SP Technical Research Institute of Sweden
- Waterproof at 4 m water pressure when there is no movement on the pipes
- Waterproof at 1 m water pressure when there is axial movement of +/-5 mm

Materials and temperature properties:

- Rubber material: EPDM
- Hose clip: Steel (AluZinc)
- Maximum operating temperature for the rubber material is 45°C
- Short-term peak temperature for the rubber material is 95°C

Installation:

- Mount the rubber ring and hose clip onto the pipe. The rubber ring is a little less in diameter than the pipe in question (2-8% depending on diameter). When the rubber seal needs to be pushed along the pipe it can be rolled along the pipe
- Tighten all hose clips so that the ring cannot be moved axially on the pipe and so that good contact is achieved between the pipe and the rubber ring around the entire circumference of the pipe
- It must be ensured that the wall entry sleeve is completely surrounded by concrete
- Vibrates the concrete so that there is good contact with the wall entry sleeve

Dimensions of the wall entry sleeve:

Wall entry sleeve dimension 110 – 180 mm
A = 40 mm and B = 22 mm

Wall entry sleeve dimension 200 and larger
A = 50 mm and B = 27 mm

Our product catalog will be updated in June 2023.

AluFlextra with 16 mm multilayer media pipe

Today we have the following dimensions AluFlextra as TwinPipe or double pipe:

Double pipe:

- 20x16/110
- 20x16/125
- 20x16/140

TwinPipe:

- 16x16/110
- 16x16/125

In recent years, we have seen a trend towards decreasing sales of AluFlextra with 16 mm media pipes, where this has been replaced by 20 mm media pipes.

The reason for this is typically the focused work on lowering the supply temperature, which will result in greater flow in the pipes. Therefore, the change from 16 mm to 20 mm will ensure that the dimension of the media pipe does not become a limitation.

We have therefore decided to remove AluFlextra with 16 mm media pipe from our future product range including related couplings. Press coupling 20x16 mm is retained to ensure that existing systems can be connected.

We still for a period have pre-insulated AluFlextra with 16 mm media pipes and 16 mm media pipes as raw material in stock, which we can deliver.

Discuss the alternatives with our local salesperson.

Our product catalog will be updated in June 2023.

LOGSTOR Denmark Holding ApS
Danmarksvej 11 | DK-9670 Løgstør

T: +45 99 66 10 00
E: logstor@kingspan.com



For the product offering in other markets please contact your local sales representative or visit www.logstor.com
Care has been taken to ensure that the contents of this publication are accurate, but Kingspan Limited and its subsidiary companies do not accept responsibility for errors or for information that is found to be misleading.
Suggestions for, or description of, the end use or application of products or methods of working are for information only and Kingspan Limited and its subsidiaries accept no liability in respect thereof. To ensure you are viewing the most recent and accurate product information, please scan the QR code directly above.

Third Issue | 05/2023