

# LOGSTOR TwinPipe

The newest development is another step towards lowest possible heat loss and CO<sub>2</sub> emission – focus on Total Cost of Ownership



---

# New TwinPipe product - 114x114/355 mm and 114x114/400 mm as conti pipe with aluminum diffusion barrier

---

TwinPipe is a complete transmission and distribution system for district heating. Using TwinPipe for district heating pipelines rather than single pipe systems can lead to significant savings in terms of heat loss and CO<sub>2</sub> emissions, as well as investment and operating costs. With a diffusion barrier, TwinPipe offers even more savings during service lifetime.

---

## We produce TwinPipe using two methods:

### Conventional production method

- Straight TwinPipe
- Diameter of carrier pipe: 26.9 - 219.1 mm
- Steel carrier pipe
- Insulation series 1,2 and 3
- Lambda value: 0.027 W/mK

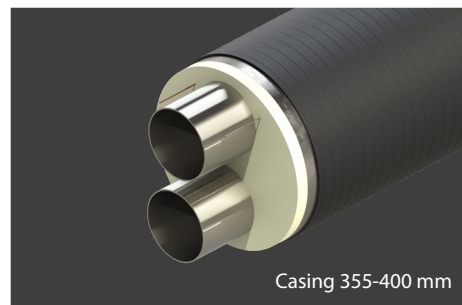
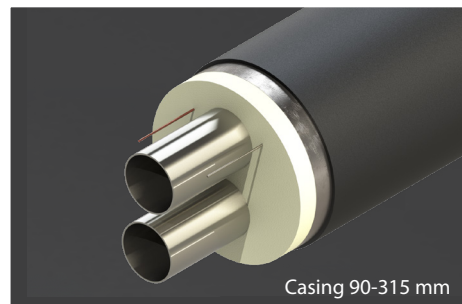
### Axial continuous production method

- Straight TwinPipe
- Diameter of carrier pipe: 26.9 - 114.3 mm
- Steel carrier pipe
- Insulation series 1,2 and 3
- With a diffusion barrier which ensures that the insulation property is kept constant over life time
- Lambda value, casing 90-315 mm: 0.023 W/mK
- Lambda value 114x114/355-400 mm: 0.025 W/mK

## Advantages

- Lowest possible heat loss leading to lower CO<sub>2</sub> emission \*
- ROI increases and shortens payback time as world energy prices rise \*
- Lowest possible environmental impact \*
- Significant savings on operating costs \*
- Easier planning and installation
- Lower Cost for excavation and installation \*
- Lowest Total Cost of Ownership \*
- Fewer components and joints needed
- All fittings and joints included as an integral part of the system

\* Based on calculations of possible choice of pipe systems in LOGSTOR Calculator and LOGSTOR TCO Tool.



---

LOGSTOR Denmark Holding ApS  
Danmarksvej 11 | DK-9670 Løgstør

T: +45 99 66 10 00  
E: [logstor@kingspan.com](mailto:logstor@kingspan.com)



For the product offering in other markets please contact your local sales representative or visit [www.logstor.com](http://www.logstor.com)

Care has been taken to ensure that the contents of this publication are accurate, but Kingspan Limited and its subsidiary companies do not accept responsibility for errors or for information that is found to be misleading. Suggestions for, or description of, the end use or application of products or methods of working are for information only and Kingspan Limited and its subsidiaries accept no liability in respect thereof.

To ensure you are viewing the most recent and accurate product information, please scan the QR code directly above.

First Issue | 09/2022

