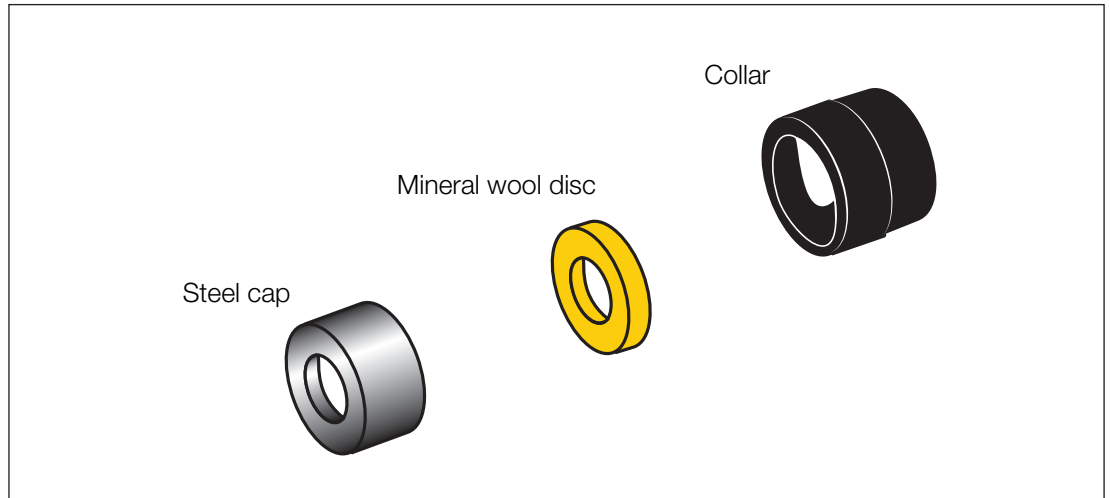


Installation instructions HSEC - High temperature end cap

General



Important!

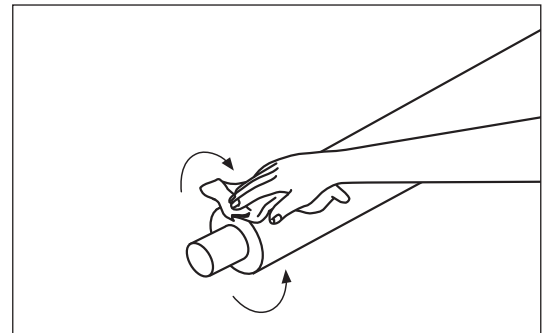
Never heat directly on any creases, because the material will discolour and crack at the surface.

Never heat in under the collar, because it may damage the collar permanently.

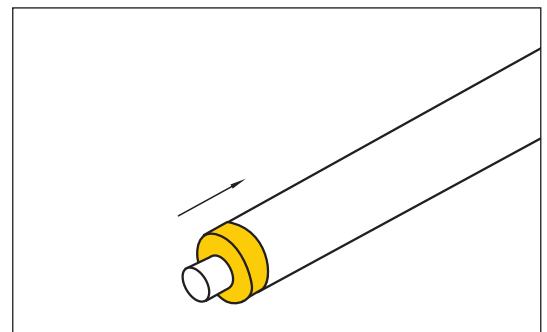
Use burner head $\varnothing 51$ mm for all dimensions.

Installation

1. Clean all surfaces in the jointing area.



2. Install the mineral wool disc onto the carrier pipe, so it is flush with the insulation.

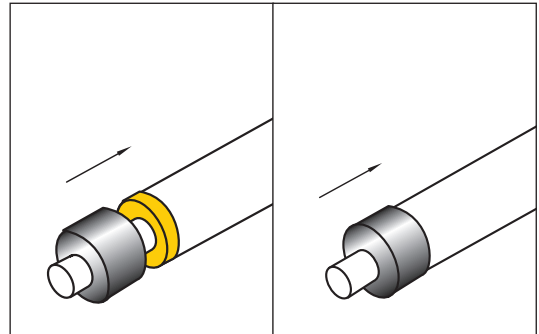


Installation instructions

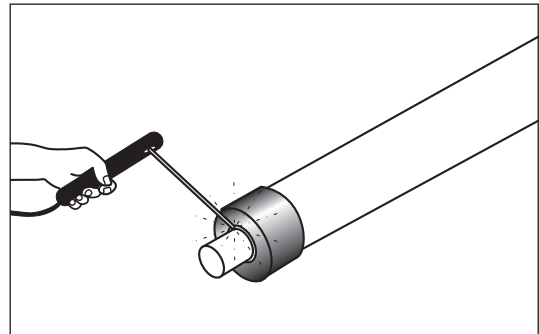
HSEC - High temperature end cap

Installation, continued

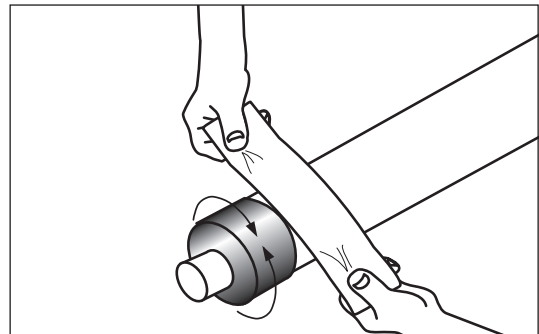
3. Pull the steel cap over the carrier pipe and the mineral wool disc.
The steel cap is correctly placed, when it is flush with the insulation.



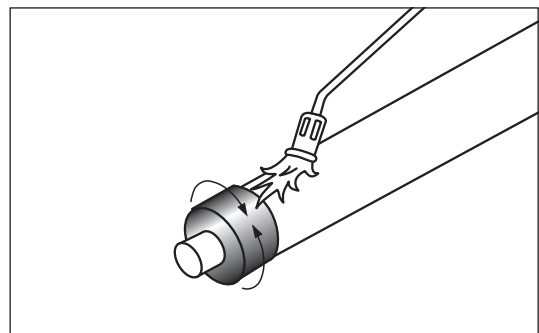
4. Weld the steel cap and the carrier pipe together.
The weld must be completely leak-proof.



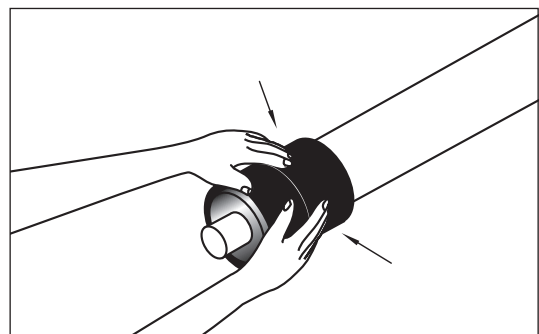
5. Grind at least 75 mm of the steel cap and 75 mm of the jacket pipe with emery cloth, grain size 60, until the surfaces are matt.



6. Preheat the steel cap and jacket pipe to approx 60°C with a gas burner. The surface of the jacket pipe must be silky matt.



7. Remove all foil from the inside of the collar. Check that the collar is CLEAN and DRY in- as well as externally. Pull the collar over the steel cap and the jacket pipe. Centre the collar over the jacket and the steel cap.

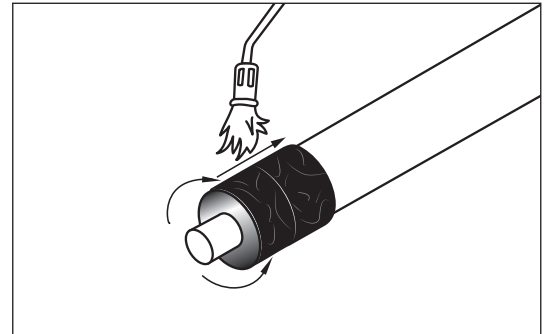


Installation instructions

HSEC - High temperature end cap

Installation, *continued*

8. Shrink the collar in one work step - first the steel cap and then the jacket pipe.
Hold the flame perpendicular to the surface.



9. The installation is complete, when the sealing compound is visible on the steel cap and the collar is smooth.

