

# LOGSTOR Detect

CNL 2 monitors the pipe systems with remarkable precision. This surveillance helps limit damages, has a preventative effect and extends the service life of the network.



The CNL 2 NiCr surveillance unit uses resistance measurement to monitor pre-insulated district heating pipe networks. The CNL 2 unit features LAN/3G modem and/or relay outputs for the transmission of measurement values, if appropriate, and can be used with LOGSTOR XTool graphic surveillance software.

It monitors ohmic resistance to provide information about moisture which may have penetrated the pipe network from the surrounding soil or leaked from the service pipe.

The CNL 2 monitors locations of a fault via a built-in resistance system which – when the system is commissioned – generates an initial curve as reference for subsequent comparison and troubleshooting. Any change outside the threshold values triggers an alarm, which makes it possible to locate faults at an early stage.

The CNL 2 can also register any breaks in the alarm wires or short-circuits in the system.

CNL is available in 2 versions depending on the pipe system and the requirements for monitoring:

Monitoring of NiCr alarm wires.

CNL 1 - Detection of moisture and wire break  
CNL 2 - Detection of moisture and wire break as well as location of error location

# LOGSTOR Detect

## Features and Specifications

### CNL 2 SPECIFICATIONS

<b>Dimensions</b>	L x W x H : 215 x 125 x 70 mm
<b>Weight</b>	0,8 kg
<b>Power Supply</b>	Standard with transformer for 110 / 230VAC
<b>Power consumption</b>	< 5W
<b>Filed of application</b>	-20°C–+70°C
<b>Cable connection</b>	Installation cables IP67 sealing class - Polycarbonate, halogen free
<b>Placement</b>	The detector should be installed indoors in dry and frost-free surroundings
<b>Certifications</b>	CE and ETL approved. CSA / UL approval can be delivered on request

### CNL 2 PROPERTIES

#### Two channels

2 outputs/channels, each with a monitoring range of 1200 m pipe corresponding to 1200 m NiCr.

#### Acoustic/visual signal

Transmits a visual and acoustic signal if detection level is exceeded.

#### Sabotage protection

Possibility of sabotage protection.

#### Analogue inputs

Possibility of monitoring pressure and/or flow (4pcs 4-20mA).

#### Temperature monitoring

Possibility for external temperature monitoring (4pcs PT1000).

#### Setting the alarm level

Manual setting of alarm levels for isolation values. Versions CNL 1 and CNL 2 can be remotely controlled and set, as the detector communicates via 3G.

#### Wire resistance

The thread resistance is measured in the range 0--10 KΩ. Wire fracture when measured > 10 KΩ.

#### Insulation resistance

Insulation resistance is measured in the range of 1 kΩ - 10 MΩ.

#### Localisation

Localisation of leakage up to 1200 m of pipe.

#### Level monitoring

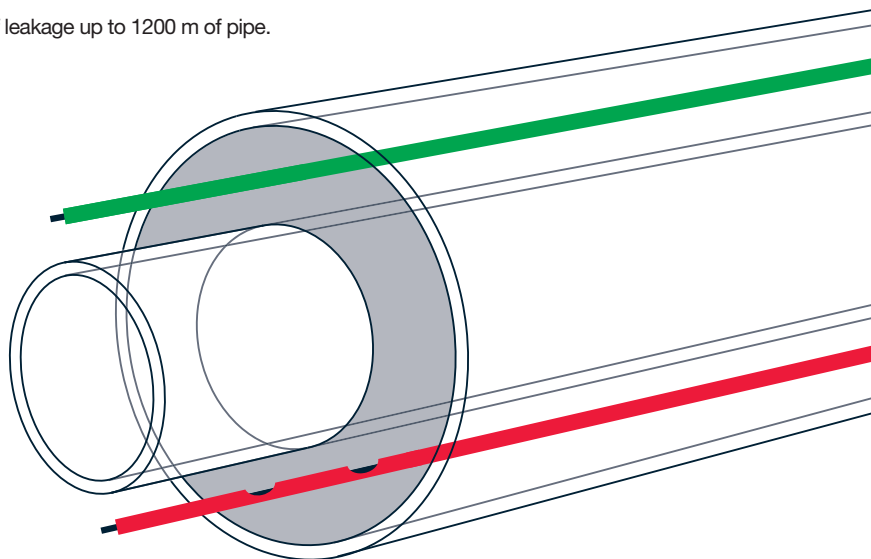
Possibility for level monitoring (4 levels).

#### Communication

Versions with "G" are equipped with 3G as well as antenna, making it possible to communicate via LOGSTOR Hosting to XTool.

#### SRO/SCADA

Output for analogue signal. Alternatively, it is possible to connect via XTool/OPC Service to SRO / SCADA.



## LOGSTOR

#### ABOUT LOGSTOR

LOGSTOR is a global supplier of complete pre-insulated pipe systems with a focus on providing better energy efficiency to our customers. Our company is based on years and years of experience and know-how related to insulation as a means of improving energy efficiency.

#### COMPANY FACTS

- Headquarters in Denmark
- More than 50 years of experience with an extensive track record
- Around 200 000 km of delivered insulated pipes
- Complete end-to-end solutions

[www.logstor.com](http://www.logstor.com)